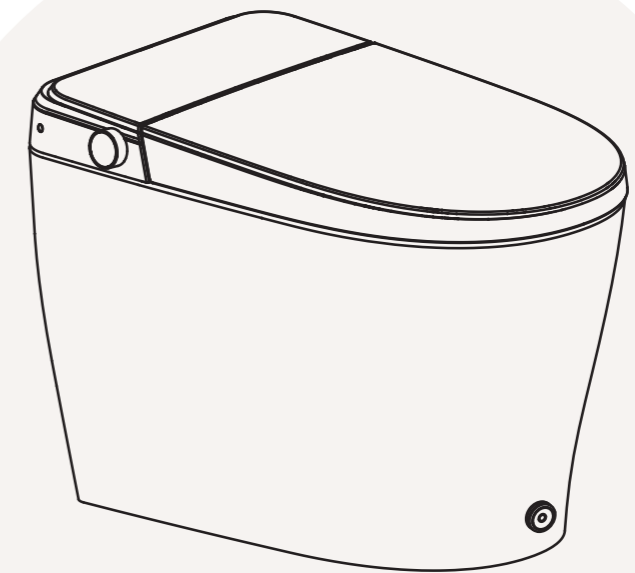


SMART TOILET



Product Name
Smart Toilet

■ **Model:07-RW111011111011A**
SKU:ST-01

PRODUCT MANUAL

Thank you for purchasing our product. Please read this manual before installation and use to ensure that your product will function at peak performance.

Read this manual thoroughly and store in a safe place for future references.

IMPORTANT SAFEGUARDS

When using electrical products, particularly in the presence of children, it is crucial to follow basic safety precautions. ALWAYS READ THE INSTRUCTIONS BEFORE USE.

DANGER – To minimize the risk of electrocution:

- 1: DO NOT use it while bathing.
- 2: DO NOT place or store the product in locations where it could fall into a bathtub or sink.
- 3: DO NOT place in or drop into water or any other liquids.
- 4: DO NOT reach for the product if it falls into water. Instead, unplug it immediately.

WARNING – To reduce the risk of burns, electrocution, fire, or injury to persons.

- 1: Ensure this product is under close supervision when used by children or individuals with disabilities.
- 2: Operate the product solely for its intended purpose as detailed in this manual. Avoid using attachments not approved by the manufacturer.
- 3: DO NOT use the product if the cord or plug is damaged, if it is not functioning properly, or if it has been dropped or submerged in water. Return the product to a repair center for evaluation and repair.
- 4: Keep the cord away from heated surfaces.
- 5: DO NOT block the product's air openings or place it on a soft surface like a bed or couch, where the air openings might become obstructed. Ensure the openings are free from lint, hair, and similar materials.
- 6: DO NOT use the product while drowsy or asleep.
- 7: Refrain from inserting any objects into openings or hoses.
- 8: Avoid using outdoors or near aerosol sprays, oxygen therapy equipment, or any administered gases.
- 9: Connect only to a properly grounded electrical outlet. Refer to the grounding instructions.
- 10: DO NOT use the product while in a shower.
- 11: Risk of Electric Shock. Connect exclusively to an outlet with a Ground-Fault Circuit-Interrupter (GFCI).

CAUTION – To prevent potential damage:

- 1: The device must only be connected to an outlet equipped with a Ground-Fault Circuit-Interrupter (GFCI).
- 2: If the product has a cover, DO NOT remove it. If service is required, contact a qualified service technician.
- 3: To avoid electrical hazards, DO NOT remove the cover (or back). Service should only be performed by qualified personnel.

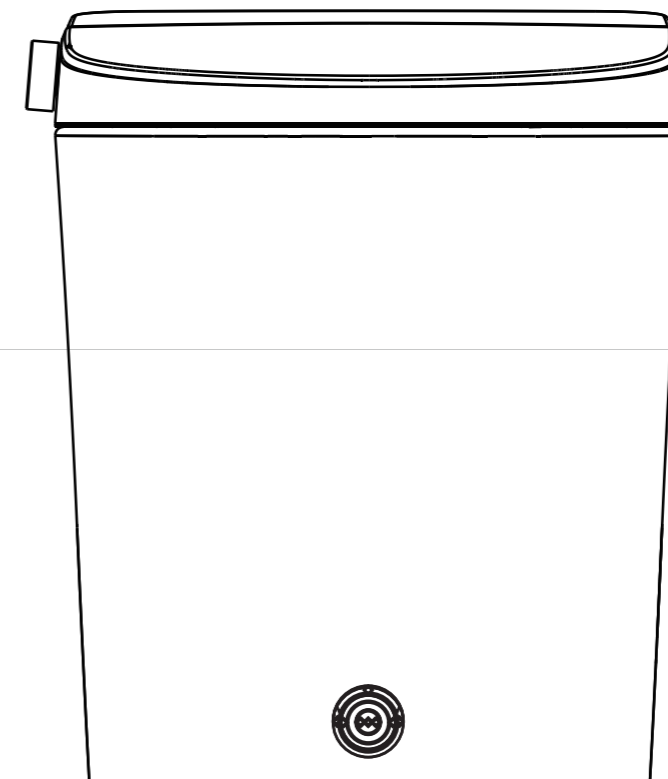
Please note that instructions and warnings should be followed exactly as provided by the product's manufacturer to ensure safety and compliance with regulatory standards. If this text is for commercial use, ensure it's consistent with the original manufacturer's guidelines and legal requirements.

SAVE THESE INSTRUCTIONS

GROUNDING INSTRUCTIONS

This product must be grounded. Grounding minimizes the risk of electric shock by providing a secondary path for electrical current to follow. The product comes with a grounding cord and a grounding plug. Ensure that the plug is connected to an appropriately installed and grounded outlet.

DANGER – Improper handling of the grounding plug may increase the risk of electric shock. DO NOT attempt to repair or replace the cord or plug yourself. The grounding wire is the one covered with insulation that may be green, with or without yellow stripes. If you are unsure about the grounding procedures or if the product is grounded, consult a qualified electrician or service technician to verify that the product is properly grounded.

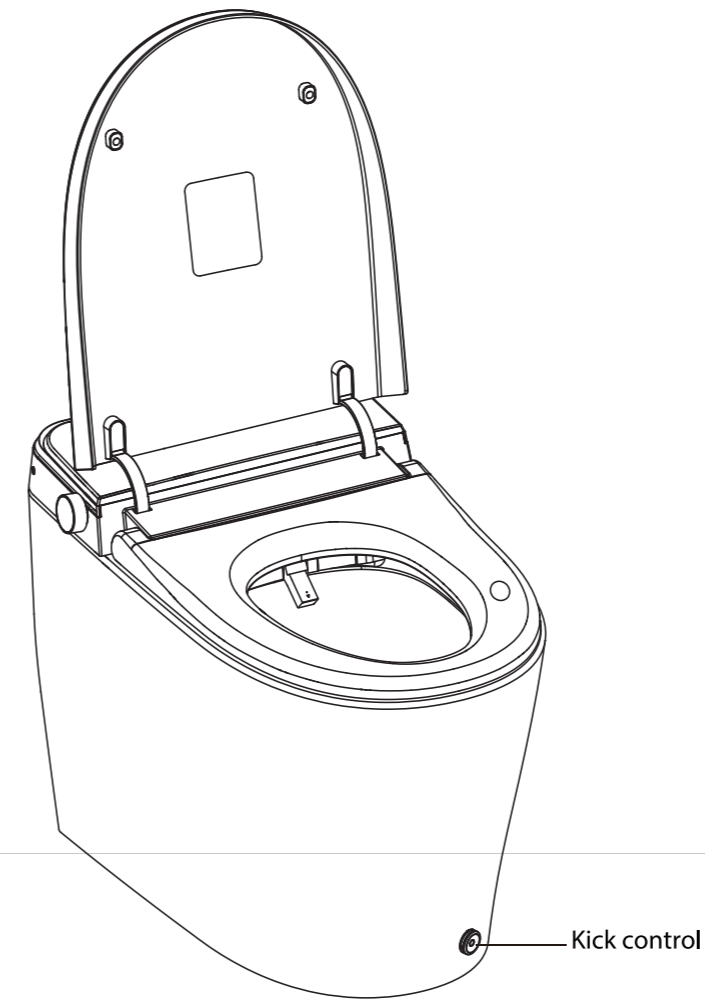


Note: Features may vary across different models.

	Functions	ST-01
Cleaning Features	Unlimited wash	●
	Rear wash	●
	Front wash	●
	Aerated wash	●
	Auto wash	●
	Oscillating wash	●
	Hot/Cold massage	●
	Adjustable water pressure	●
	Adjustable water temperature	●
	Adjustable nozzle position	●
	Detachable nozzle	●
	Nozzle self-cleaning	●
	Cleaning nozzle	●
Convenience Features	Heated seat	●
	Extra warm air dryer	●
	Automatic deodorization	●
	Soft-closing seat	●
	Adjustable seat temperature	●
	Adjustable air temperature	●
	Night light	●
	Instant heating	●
	Tankless system	●
	Automatic flush	●
	Drying after flush	●
	Remote control flush	●
	Kick-activated flush	●
	Automatic lid opening	●
	Remote control lid opening	●
	Remote control seat lifting	●
	Kick-activated lid opening	●
Kick-activated seat lifting	●	
Presence sensor	●	
Microwave motion induction	●	
Safety Features	Pre-wetting function	●
	Memory settings	●
	Automatic start	●
	Stainless steel filter	●
	Air isolation	●
	UV sterilization	●
	Backflow prevention	●
	Easy-to-clean glaze	●
	Anti-bacterial surface	●
	Fire and heat resistant	●
Factory reset	●	

User Friendly Design

new features to offer you an enjoyable experience



Contents

BEFORE USE

Parts Information	1
Overview	1
Knob Control	1
Remote Control	2
Warnings and Safety	3
Warnings	3
Attentions	6

FUNCTIONS

Installation Guide	7
Pre-Installation Guidelines	8
Installing Your Product	9
Function Explanations	13
Maintenance	17
Surface	17
Nozzle	18

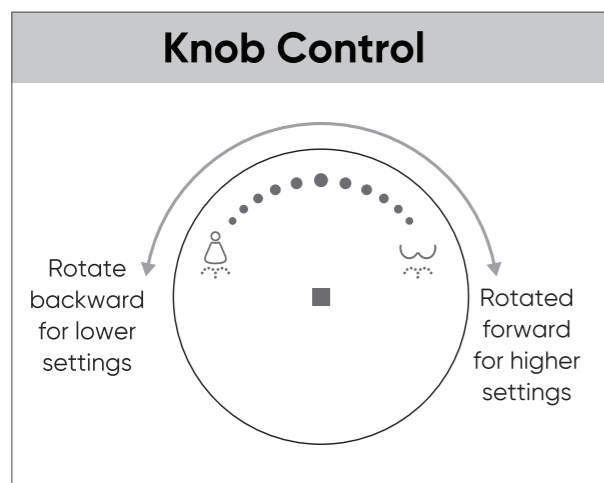
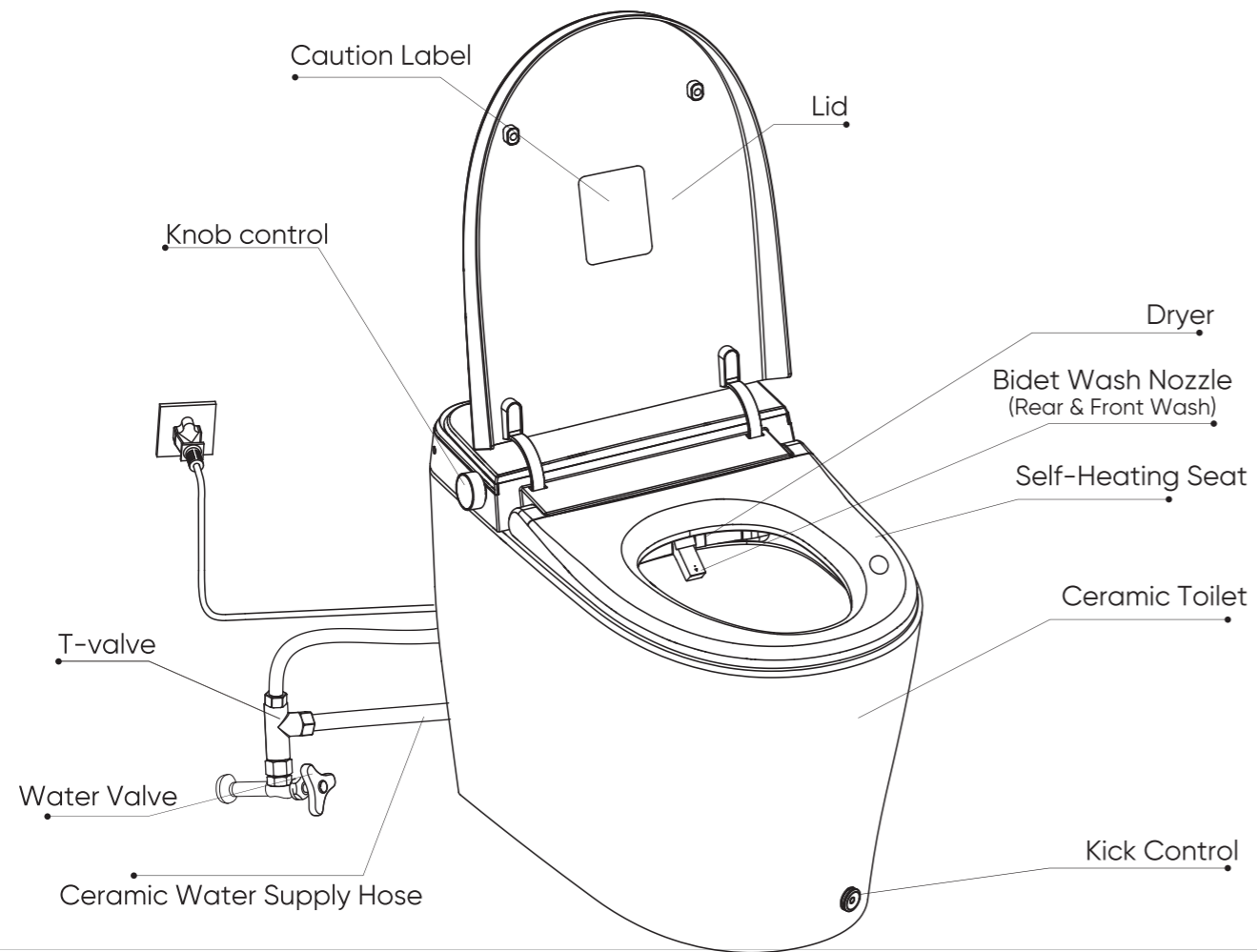
TROUBLESHOOTING

Power Button	19
Wash Functions	19
Dryer	20
Heated Seat	20
Remote Control Use	20
Toilet Unit	20
Soft-Close Feature	20
Specifications	21

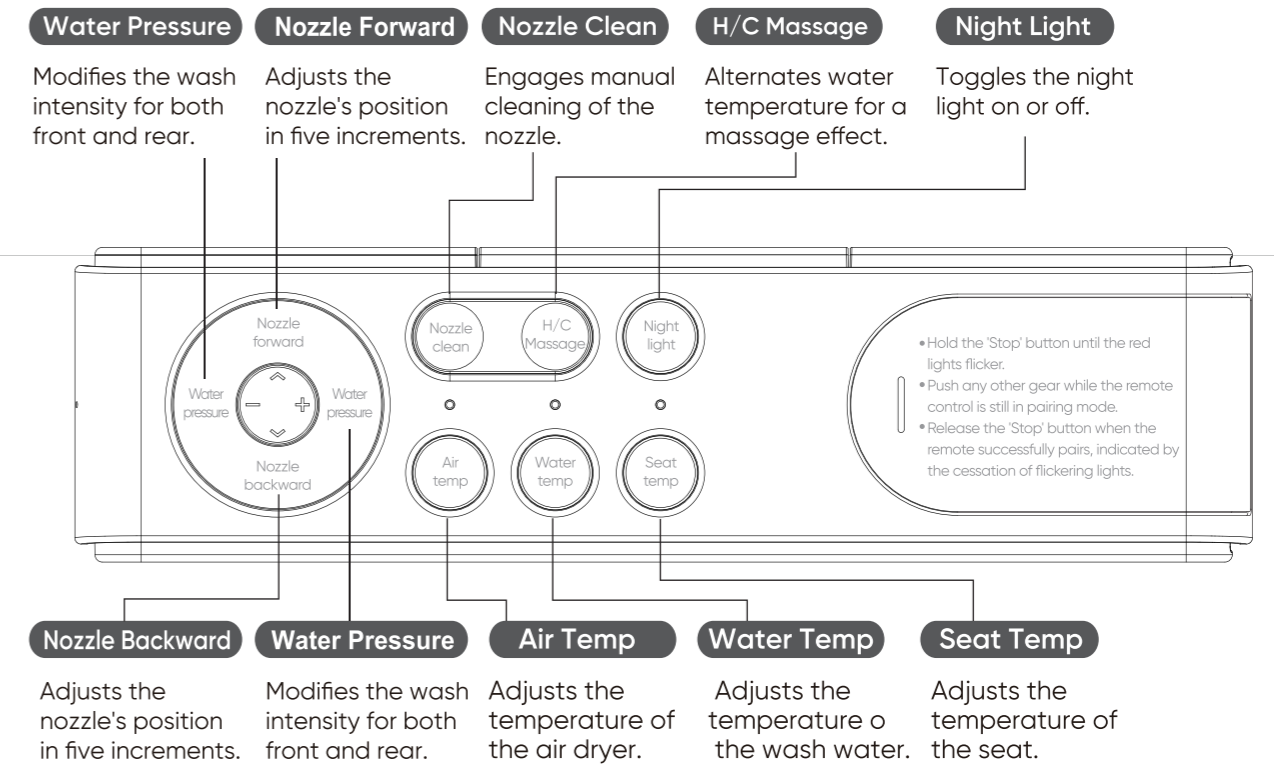
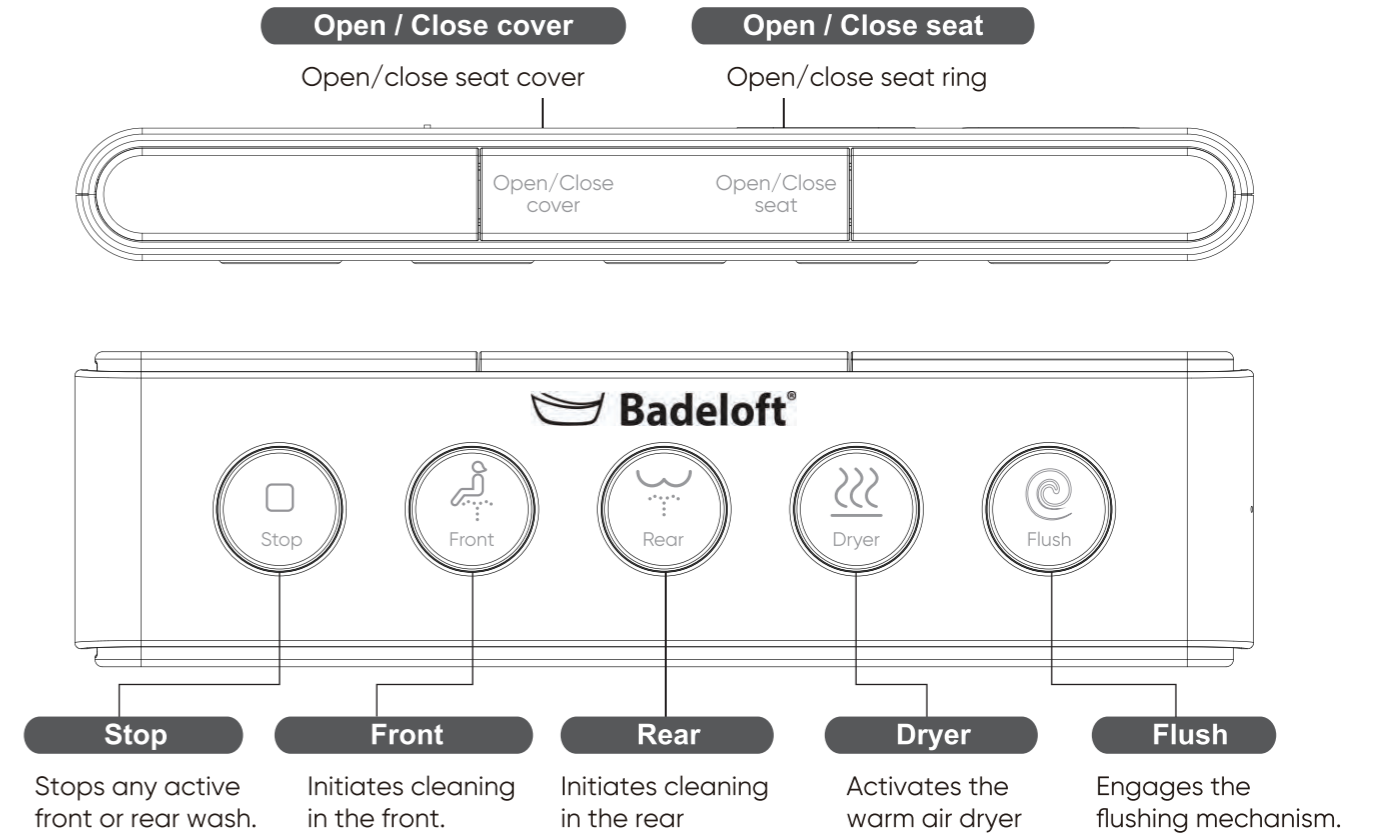
Parts Information

Detailed Overview, and Remote Controlle

Overview



Remote Control Functions













Warnings and Safety

Read carefully

Thank you for choosing our product. Please read this section thoroughly before using this product to ensure safe and proper use. Keep this manual in a safe place for future reference.

The hazards and warnings outlined here are critical for user safety. Ignoring these may lead to severe consequences. The company is not liable for any injuries or damages resulting from improper use or the disregarding of safety warnings.

Explanation of Terms and Symbols

- Warning** Indicates a risk of injury from misuse due to ignoring this symbol.
- Attention** Indicates a risk of injury or property damage from misuse due to ignoring this symbol.
-  **Note:** This symbol, when accompanying the "Warning" and "Attention" indicators, means follow the outlined precautions.
-  This symbol forbids any individual from performing the depicted action.
-  This symbol forbids disassembling the product.
-  Advises to keep the product away from wet environments, including, but not limited to, humid areas or proximity to baths, showers, or sinks.
-  Indicates that the product should not be touched.
-  Warns against touching the product with wet hands.
-  Advises to keep the product away from extreme heat or fire.
-  Directs to operate the product strictly as per the instructions.
-  Instructs disconnecting the power supply by pulling out the plug.
-  Indicates the necessity of protective grounding for the product.

Warning

Proper Grounding Required:
Ensure the product is correctly grounded.
Contact an electrician if in doubt.
⌘ Risk of electric shock.



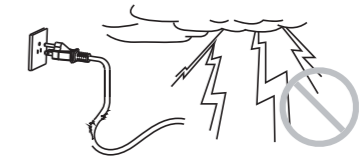
No Smoking:
DO NOT place lit cigarettes or open flames near the unit.
⌘ Risk of fire



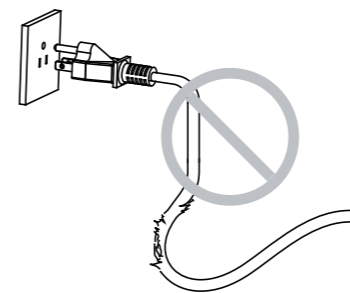
Keep Away from Water:
DO NOT handle the power plug with wet hands.
⌘ Risk of electric shock.



Storm Safety:
Unplug during thunderstorms to prevent damage or injury.
⌘ Risk of product damage or injury.



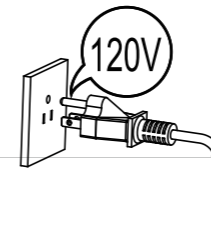
Power Socket Integrity:
Use only Receptacle that are in good condition and undamaged.
⌘ Risk of fire and/or electric shock.



Seat and Cover Care:
Disconnect power and contact a service agent if the seat ring or cover plate is damaged.
⌘ Risk of fire or electric shock.



Voltage Compliance:
The power socket must match the specified voltage (AC120V).
⌘ Risk of fire and/or electric shock.



Clean Connections:
Keep the power plug clean and dust-free.
⌘ Risk of product damage or injury.



Supervised Use:
Individuals with disabilities, older people, and children should not use this product without supervision.
⌘ Prolonged use of a heated seat may cause burns.



Cable Care:
DO NOT pull, twist, or damage the power cable.
⌘ Risk of fire and/or electric shock.



Not a Toy:
Children should not treat the product as a toy.
⌘ Risk of injury.



Cord Damage:
If the power cord is compromised, have it replaced by a professional.
⌘ Risk of fire and/or electric shock.



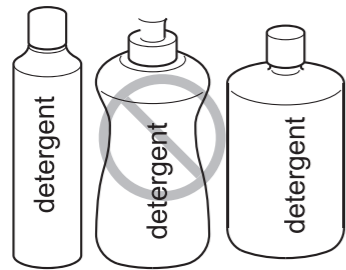
No DIY Repairs:
DO NOT attempt to dismantle or repair the unit yourself.
⌘ Risk of fire, electric shock, or injury.



Warning

Plastic Care:

Avoid harsh chemicals when cleaning plastic components. Harmful agents include but are not limited to concentrated acids, chloroform, benzene derivatives, ethers, and hydrocarbons.
 ※ Risk of damaging plastic, potentially causing accidents and injuries.



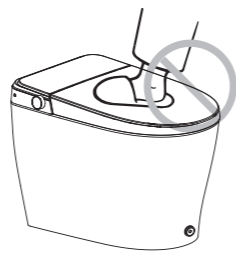
Gentle Handling:

DO NOT apply excessive force to the seat and lid. DO NOT stand on or forcibly close them.
 ※ May cause damage or injury



Dryer Precaution:

Keep hands and objects away from the dryer when in use. Ensure the dryer and its trap are not covered.
 ※ Risk of fire, electric shock, or injury.



Installation Environment:

DO NOT install in excessively humid areas, such as saunas. Avoid liquid exposure, potentially causing accidents and injuries.
 ※ Risk of fire and/or electric shock.



Urine Exposure:

Avoid directing urine toward the dryer trap.
 ※ Risk of electric shock.



Proper Water Us:

DO NOT use contaminated or industrial-grade water
 ※ Risk of urinary tract or skin irritation.
 Contaminants can damage the unit,
 ※ leading to electrical shock or fire.



Battery Guidelines for Safety and Longevity:

- Correctly insert the battery, respecting polarity.
- Remove batteries during extended periods of non-use.
- Replace batteries before they are depleted.
- Securely tape the battery's terminals before disposal to prevent leakage.
 - Improper battery use can lead to fire or damage.



Warning

Keep batteries out of reach of children and infants. If ingested, seek medical attention immediately.
 In case of battery leakage on the skin, rinse immediately with water. If leakage contacts the eyes, avoid rubbing; rinse with water and consult a doctor promptly.
 Risk of vision impairment or blindness.



Battery Usage Precautions:

- Avoid storing with metal objects which could cause short circuits.
- DO NOT mix old and new batteries.
- Never dismantle or expose batteries to water or fire.
 - Battery leakage can lead to fire.



Attention

DO NOT use the heated seat or warm dryer temperature for extended times.
 Can result in burns.



Avoid direct sunlight or heat.
 Will prevent product discoloration.



Maintain direct skin contact with the seat sensor for the product to function.
 Children and smaller individuals may need assistance.



Ensure the power supply is disconnected when not in use for extended periods, and drain water from the product
 Will prevent damage.



When replacing the filter, shut off the water supply and secure it tightly.
 Will prevent leakage.



DO NOT direct urine toward the bidet nozzle.
 May cause clogging of bidet nozzles and cleaning area.



Only use the hose provided with the product.
 Risk of water leakage and/or property damage



During cold weather, remove all water from the unit.
 Will prevent damage from freezing.



Failure to comply with these guidelines can result in fire, leaks, or product damage.

In the event of a power outage, disconnect the product and close the angle valve.
 Will prevent leakage.



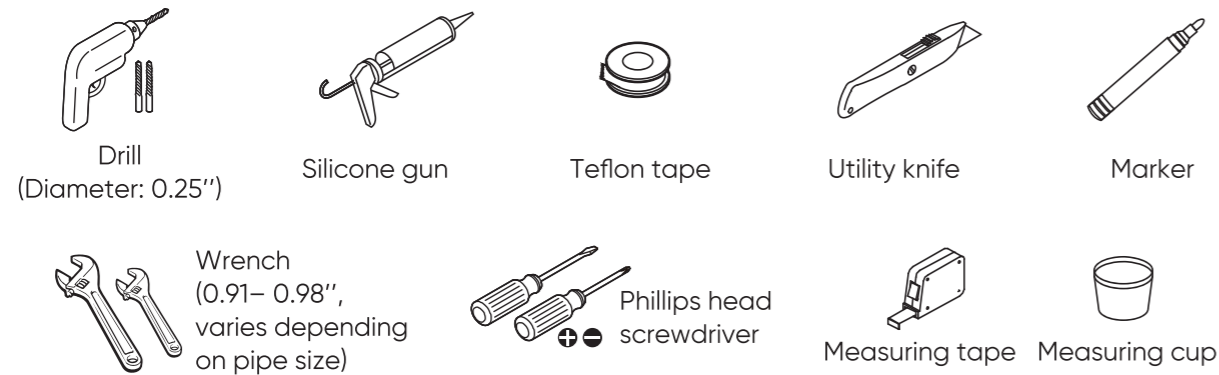
Installation

Measurements are in inches (")

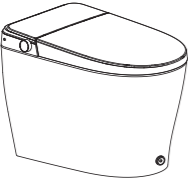
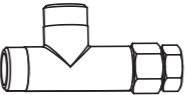
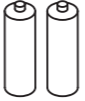
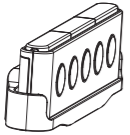

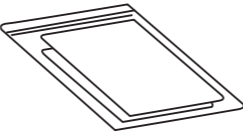

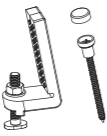
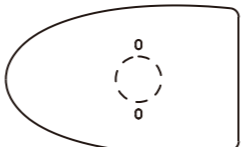
Tools and items required for successful installation

Required tools

Gather the following tools before beginning the installation process:



Item List (Check that all items below are included in the box)

Smart toilet(1 set) 	T-valve(1 pieces) 	Two AAA Batteries 
Remote controller set(1 set)  (1 set) [Includes 1 holder and 2 screws]	Wax Ring 	Installation Book & User Manual 
Sealing Flange 	Mounting accessory kit (2 pieces) 	Mounting Template 

※Ensure all listed items are included in the delivered package. If any items are missing, contact customer service for assistance.

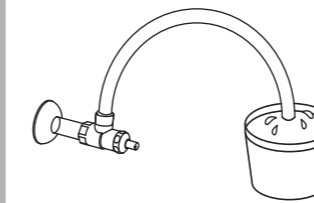
Before You Install

Conduct a water pressure check and review the dimensional drawing

Water Pressure Check

- The minimum dynamic water pressure required is 35 psi, with the maximum static pressure at 108 psi.

Method for Determining Minimum Water Flow



Open the angle valve fully to check the water supply.
Ensure a minimum flow rate of 10.57 GPM (gallons per minute)
※If this flow rate is not optimal, consider installing a booster pump to enhance pressure.

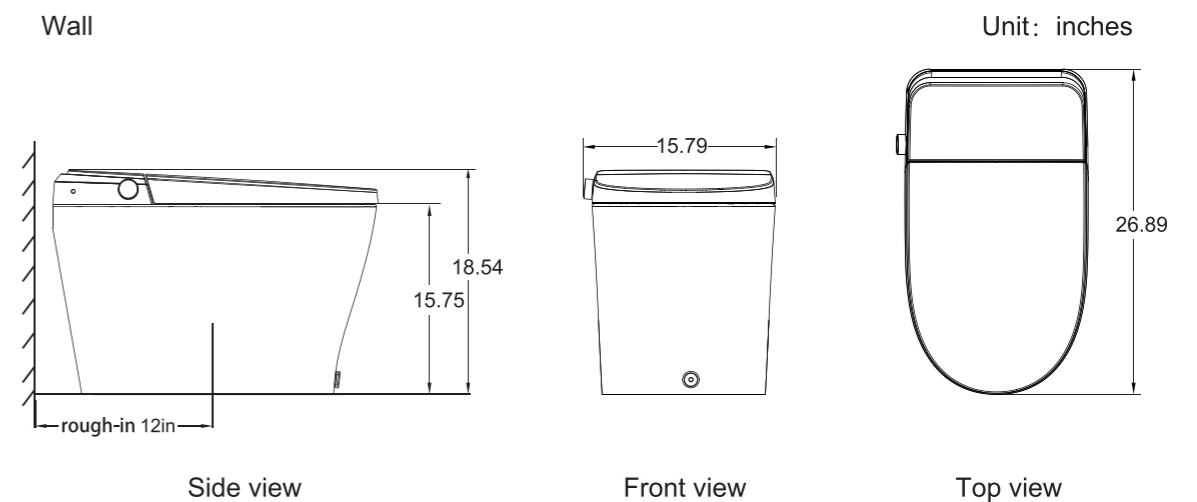
(Tools needed: stopwatch, measuring cup)

Confirm Product Dimension In Space

Side View: The rough-in distance from the wall is 12"; the height is 18.54"; ceramic bowl height is 15.75".

Front View: The width across the widest point is 15.79".

Top View: The depth of the unit is 26.89".

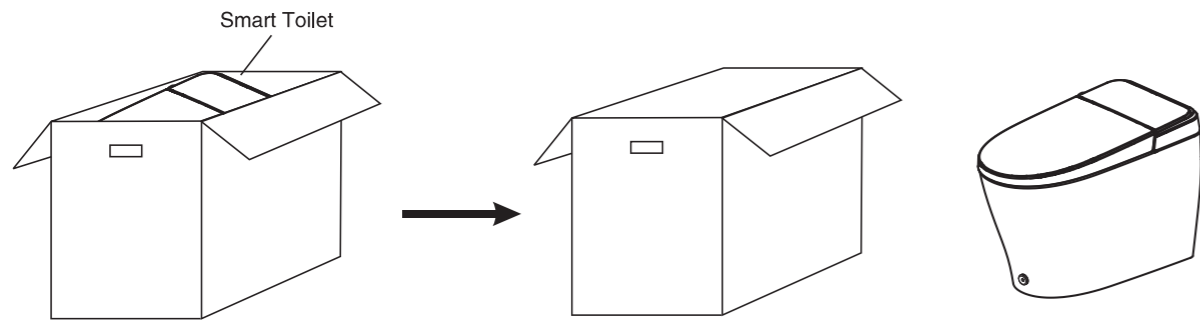


Installing Your Product

Follow these steps for correct installation

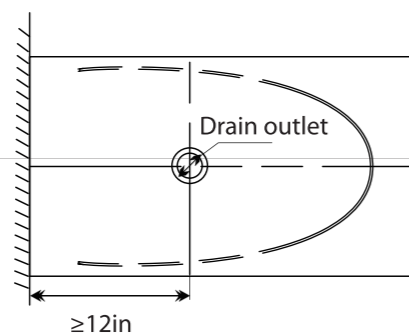
1 Opening the Box

Open the box carefully, ensuring it is upright. First, remove all accessories from the box. Then, lift the smart toilet from the top as depicted in the illustrations.



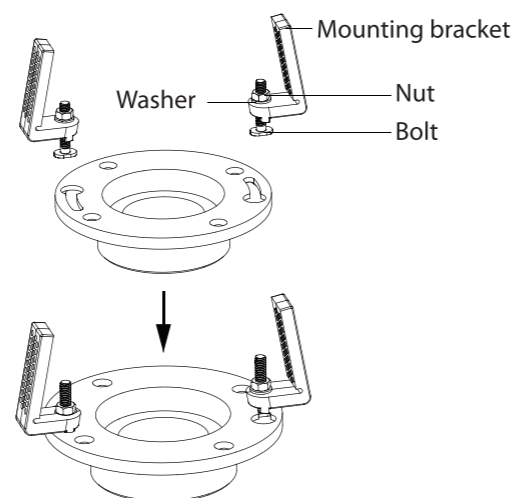
2 Marking the Drain

Position a piece of cardboard in alignment with the centerline of the drain. Trace the outline on the floor using the cardboard as a template to mark the location of the drain. Ensure it is at least 12" from the wall.



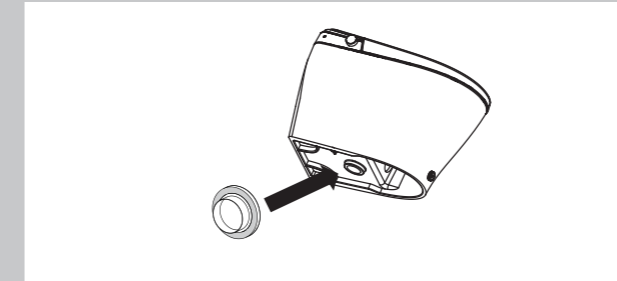
3 Mounting Bracket Installation

Put together the mounting bracket using bolts. Attach the bracket to the pre-installed flange plate on the floor. Securely tighten with nuts to ensure stability.

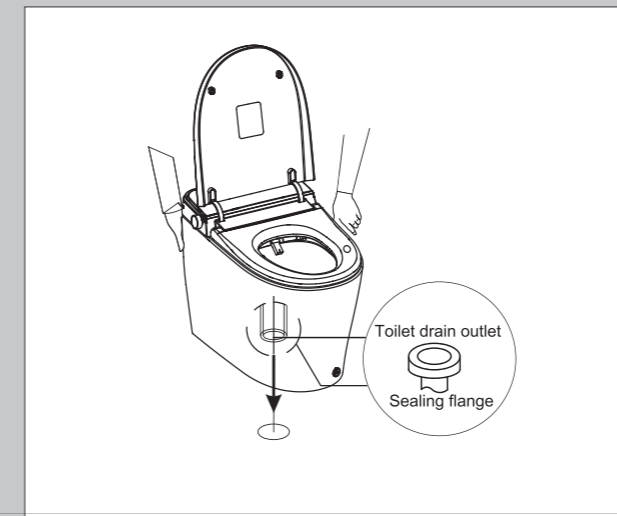


4 Installing the Ceramic Body, Water Supply Hose, and T-Valve

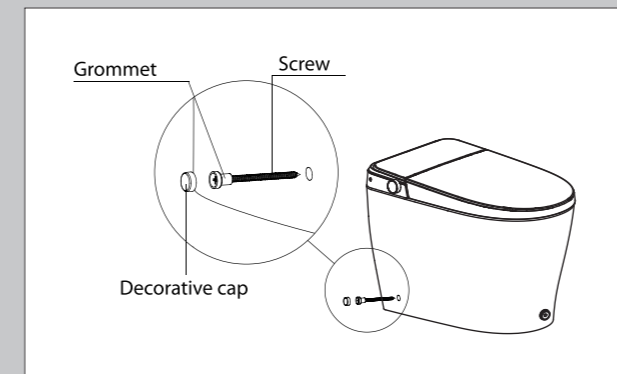
1. Position the wax ring on the drain hole at the ceramic's base.



2. Fit the sealing flange snugly into the toilet's drain.
3. Based on the previously drawn contour line, set the ceramic toilet onto the outlined position.



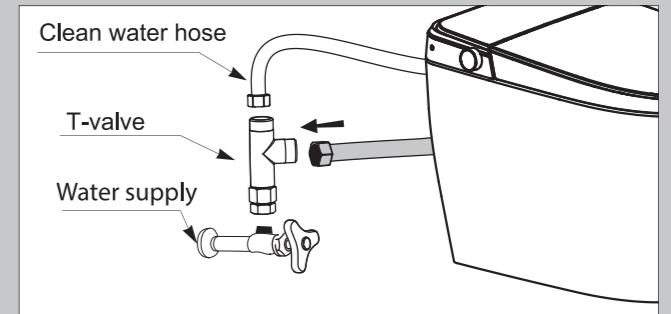
4. Thread the screws through the sleeves on either side of the toilet. Then, secure the ceramic bowl to the mounting bracket on the floor. Tighten firmly with a wrench.
5. Cap the grommet with the decorative caps provided.



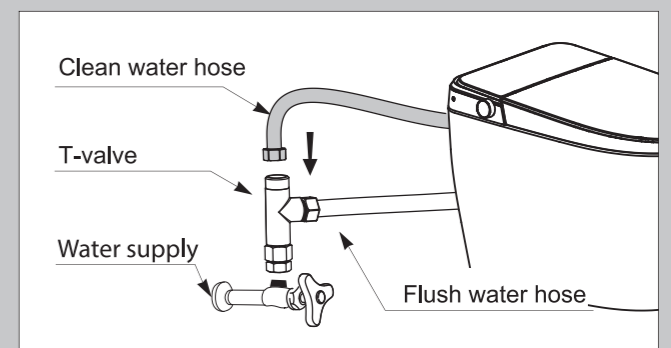
Tips:
The toilet is heavy; it requires two people to lift it safely. Make sure to open the toilet seat cover when carrying the toilet.

Water Connection:

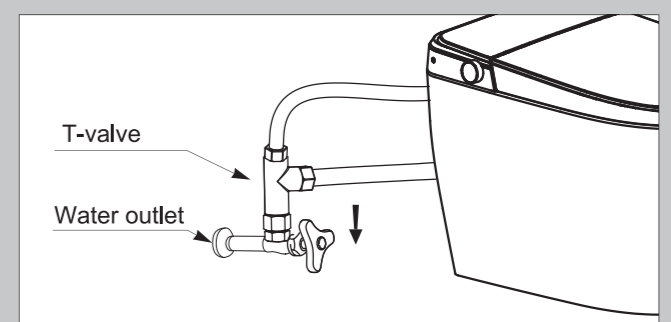
1. Connect the flush water hose to the T-valve and secure it tightly.



2. Attach the clean water hose to the T-valve and secure it tightly.



3. Connect the T-valve to the main water supply line.



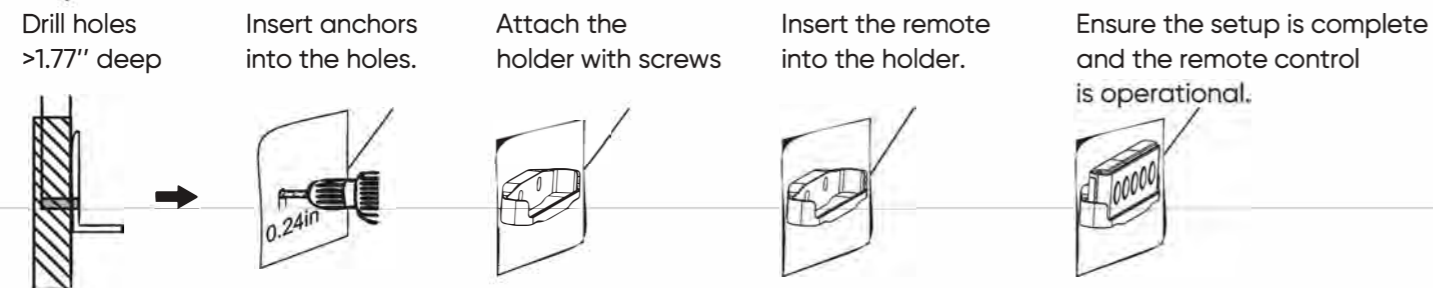
4. Complete the installation..

5 Installing the Remote Control

- Drill two 6 mm (0.24") diameter holes into the wall, ensuring they are about 1.77" deep.
- Insert the wall anchors into these holes using a hammer.
- Affix the remote control holder to the wall with the anchors.
- Secure the holder in place using screws.
- Remove the battery cover at the back of the remote control and insert the batteries.
- Once the batteries are in place, the remote can be placed into its holder.



Steps

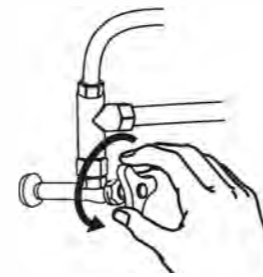


Note:

- Use appropriate tools for mounting on specialized wall surfaces, such as wood, high-density fiberboard (HDF), etc.
- Position the remote control holder within easy reach from the seated position on the toilet and clear of the bidet's spray trajectory.
- Ensure there's no obstruction interfering with the signal transmission between the toilet and its remote control.

6 Testing water flow

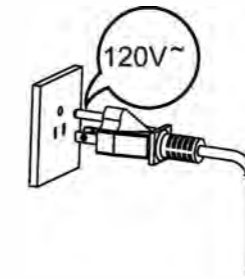
- Fully open the water supply angle valve.



- Check all connection points to ensure there are no leaks.
- ※ If you detect any leaks, loosen the nuts, re-align and tighten them.

7 Connecting power

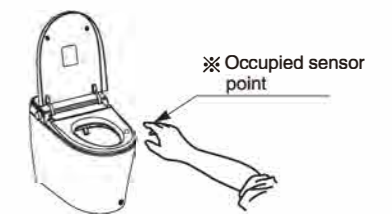
- Ensure the unit is grounded correctly.
- Connect the unit to an AC 120V GFCI power outlet.



- Verify that the power light is activated.
- *The toilet will perform an initial self-diagnostic: the indicator lights will illuminate, the cleaning nozzle will extend and retract, and water will flow through the system. The process ends when the lights turn off, signaling the completion of the diagnostic.*

Testing the product

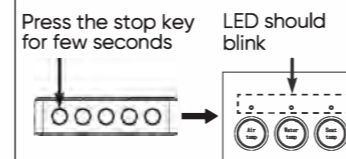
- Confirm that all remote control buttons and body side-knobs are functioning as expected.
- Test all features: Rear Wash, Front Wash, temperature controls for water and seat, dryer, nozzle cleaning, and remote operations.
- For the Rear Wash test, activate it using the remote while covering the nozzle to prevent water spray.



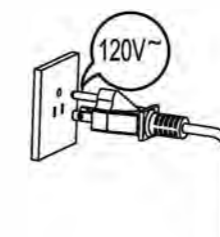
Pairing your remote control

If the remote control and the toilet have disconnected:

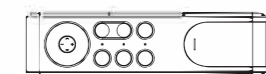
1. Unplug the product's power, wait for a few seconds, then plug it back in. The level light should



2. Bring the remote control near the toilet.



3. Wait for the LED light to stop blinking and remain solid

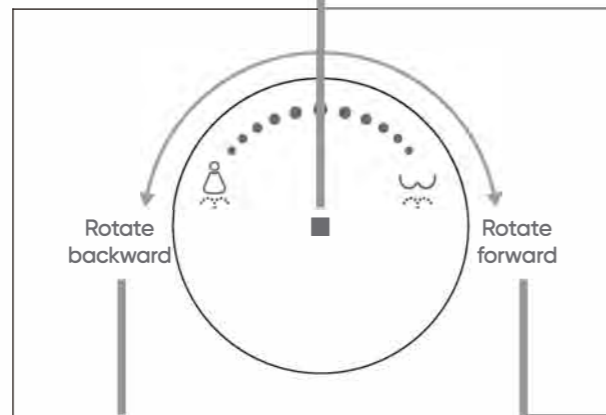


4. Once the LED is solid, the remote control is re-paired with the product.

《Function Explanations》

■ Power / Stop

- To activate from standby, press and hold for 3 seconds.
- When active (during hip cleaning, female washing, or drying mode), press briefly to stop.
- If the toilet is activated and you are not seated, press briefly to initiate a flush or hold for 3 seconds to revert to standby mode.



■ Front wash

To engage without any ongoing cleaning or drying cycle and while seated:

- Rotate the control knob backward 45° to start the front wash. The default sequence is 1.5 minutes of washing, followed by 4 minutes of drying, and one flush at the end of the drying cycle.
- Increase wash stream by rotating the knob forward and decrease it by rotating backward.
- To trigger drying while the front wash is active, press the button for 3 seconds, which will also prompt a flush.

■ Rear wash

To use while not in a cleaning or drying cycle and seated:

- Rotate the control knob forward 45° to commence the rear wash. The default sequence mirrors the front wash: 1.5 minutes of rear washing, 4 minutes of drying, and a single flush after drying.
- Like the front wash, adjust the wash intensity by rotating the knob.
- To initiate drying during the rear wash, press the button for 3 seconds, concluding with a flush.

Note: When the toilet is not performing any function, press the knob to activate a flush.

■ Auto flush

The toilet automatically flushes once the seat sensor detects the user has stood up.

There will be only one flush per use.

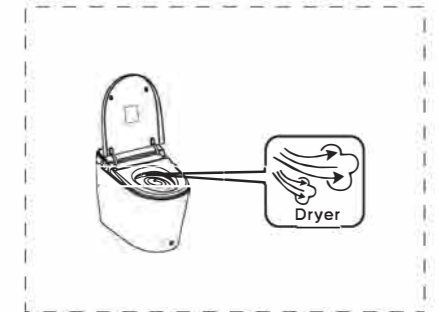


■ Dryer Function

Activate by pressing the "Dryer" button.

This starts the warm air dryer and triggers a flush.

Note: The wash functions are not available during the drying cycle.



■ Kick flush

For manual flushing, tap the "Kick Button" with your foot. This is convenient when hands-free operation is preferred.

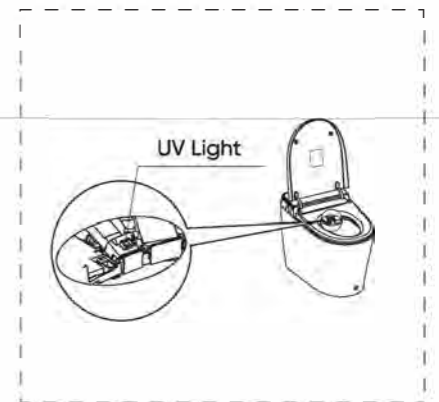
This function can only be used while seated on the toilet.



■ UV sterilization

Activates automatically once the user leaves the seat

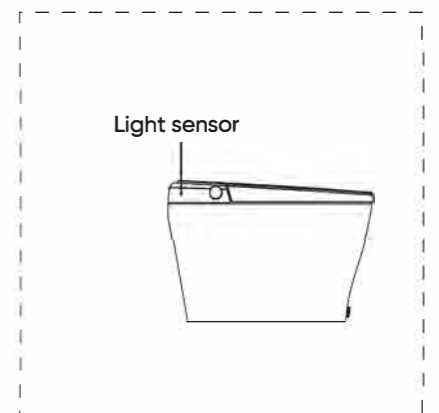
- The cleaning spout retracts, and after a 10-second delay, the UV sterilization begins, lasting for 3 minutes.
- The UV lamp should be pre-installed in the smart toilet.



■ Night light

The night light operates automatically based on ambient light levels.

It adjusts its brightness in response to external light intensity—turning off in bright conditions and on in low light.



■ Auto deodorization

The deodorization feature activates automatically once seated.

The deodorization fan turns on immediately and will switch off 3 minutes after leaving the seat.

■ Microwave induction

The microwave sensor detects a person or object within a 3-foot radius

The toilet lid will open when someone is detected within this range and close once no presence is detected.

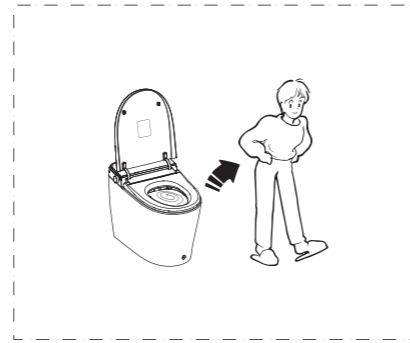
■ Kick to open lid/seat

Use the "Kick Button" to control the toilet lid and seat with your foot for hands-free operation:

Single tap: Lid opens.
Double tap: Seat raises.
Triple tap: Both seat and lid will close and toilet will flush.

Notes:

Avoid pressing the button with excessive force.
The wash functions will not be available during the flushing process.



■ User-friendly Design

- **Slow-Closing Lid/Seat:** Engineered for longevity and convenience, this feature allows the lid and seat to close gently and quietly.
- **Water Purification:** The bidet has a dedicated filtration system to ensure that you use only purified water for the spray function.
- **Damper:** A damper mechanism is integrated into the toilet seat and cover, providing a buffer to reduce noise for a quieter operation.
- **Multi-Layer Safety:** The toilet includes seven distinct safety features designed to protect the user and the product.
- **Memory Mode:** In the event of a power outage, the toilet automatically restores water temperature, pressure, seat temperature, and wand position settings to the last used state when power resumes. The night light also reactivates.
- **Self-Cleaning Nozzle:** The nozzle is designed to clean itself before and after use, maintaining hygiene and reducing the risk of stain and bacteria build-up.
- **Pre-Flush Feature:** When the user sits down, a pre-flush moistens the bowl, aiding in cleanliness.
- **Antibacterial Seat:** The seat is made from materials with antibacterial properties for enhanced hygiene.

Maintenance

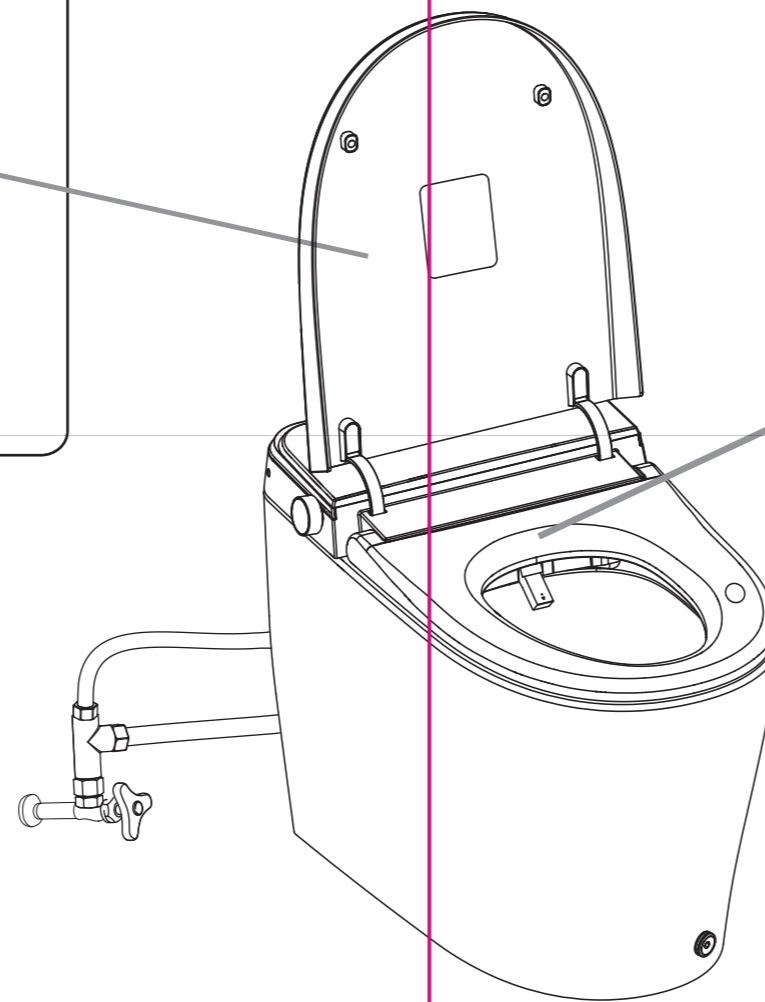
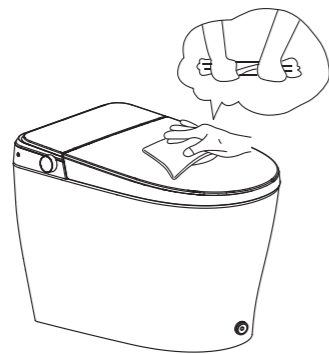
Regular maintenance is essential for normal operation

Note

- Disconnect the power and water supply before commencing any maintenance work.
- DO NOT direct a water jet at any part of the product.

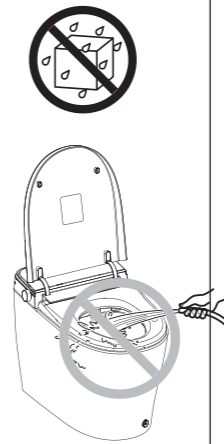
Surface and Ceramics Maintenance

- Gently wipe away dust or stains using a soft, damp cloth.
- Avoid harsh chemicals or abrasive materials like alcohol, bleach, paint thinner, or gasoline when cleaning ceramic surfaces.



Warning

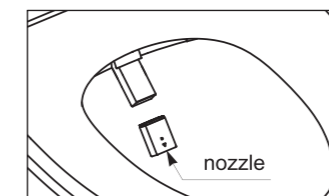
To prevent the risk of electric shock or fire, never spray water or cleaning agents directly on the toilet, remote control, or power cord.



Winter Season Maintenance

- If the water inside the toilet could freeze, take preventative steps.
- Thaw a frozen toilet by warm environment before connecting it to a water or power supply.

Nozzle Maintenance



- Use the "Nozzle Clean" function on the remote control to extend the nozzle without sitting on the seat.
- Clean the nozzle with a soft brush; avoid forceful handling.
- If the nozzle becomes clogged, consider replacing the spray spout.

Troubleshooting

Are you encountering issues with your product? Follow the troubleshooting guide below. If the issue persists, consult a professional.

Power Button

Issue	Diagnosis	Solutions
Not working	Loose power plug	Check and secure the electrical connection
	Power not switching on	Hold the rotated switch for 3 seconds to turn on.
	Electrical leakage	Disconnect power and seek professional repair.

Wash Functions

Issue	Diagnosis	Solutions
No water from the spout	Water supply interruption	Restore the water supply
	Angle valve closed	Ensure the angle valve is open.
	Blocked filter	Clean or replace the water filter mesh
Insufficient cleaning pressure	Low water pressure	Adjust water pressure as per the manual.
	Blocked filter	Clean or replace the filter mesh.
Unusual water flow	System malfunction	Reset by unplugging for one minute, then reconnect.
The water temperature is too low	Incorrect temperature settings	Adjust according to the instruction manual
Weak cleaner stream	Faulty solenoid valve	Contact qualified maintenance service. Contact qualified maintenance service.

Dryer

Issue	Diagnosis	Solutions
Blows cold air	Dryer not activating	Adjust dryer temperature as instructed in the manual.
	Damaged heating element	Contact qualified maintenance for repair.

Heated Seat

Issue	Diagnosis	Solutions
Not heating	Seat temperature setting off	Set the seat temperature as per the instruction manual

Remote Control

Issue	Diagnosis	Solutions
Flickering blue light	Low battery	Replace with a new battery.
Not functioning	Water exposure	Dry off the remote with a dry towel.

Toilet Unit

Issue	Diagnosis	Solutions
No flushing	No power	Ensure the power supply is restored.
	No water output	Seek repair from qualified maintenance.
Sounds but no water	Obstructed or bent pipeline	Ensure the pipeline is clear and undamaged.
Continuous water flow	Malfunctioning inlet valve	Contact maintenance for valve inspection and repair.

Soft-Closing Feature

Issue	Diagnosis	Solutions
Not functioning	Damaged damping mechanism	Reset by unplugging the unit, then plug it back in. If the issue persists, seek professional assistance.

Specifications

Electrical

Rated Voltage: 120V~
Frequency: 60Hz
Rated Power Input: 1050W (When inlet water temp is 59°F)
Water Inlet

Water Inlet

Seat and Dryer Temperature Range: 4 different levels (95°F–131°F)
Dryer Temperature Range: 95°F–131°F
Water Supply Hose Type: DN15 (G1/2")
Minimum Pressure: 35 psi (ensuring a flow of at least 10.57GAL/min)
Maximum Pressure: 108 psi (static state)

Toilet

Flush Type: Tornado flush
Rough-in: 12".
Heating Type: Instant heating

Flushing

Washing Temp Range: OFF/93.2°F–102.2°F (4 levels)
Safety System: Butterfly thermostat, thermal fuse, flow sensor

Dryer

Dryer Temp Range: OFF/95°F–131°F (4 levels)
Dryer Air Speed: > 4m/s
Safety System: Thermal fuse, bi-metal

Heated Seat

Heat Temp Range: OFF/93.2°F–102.2°F (4 levels)
Safety System: Thermal fuse

General

Power Cable Length: Approx. 35.43".