

Installation Instructions :

Badeloft Wall Mounted Faucet - WAT-02



Notes:

Please flush the pipes so they are free of dirt and debris before installing.

To maintain noise dampening install pressure reducers on water lines with more than 5 bars of pressure.

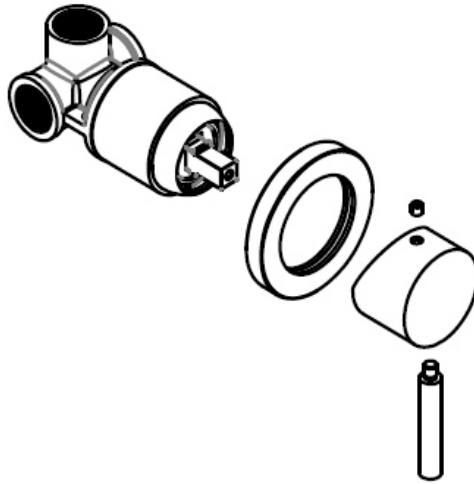
Cleaning and Care:

Please don't clean the stainless steel surface with abrasive cleaning agents. Do not use vinegar or other acidic cleaners.

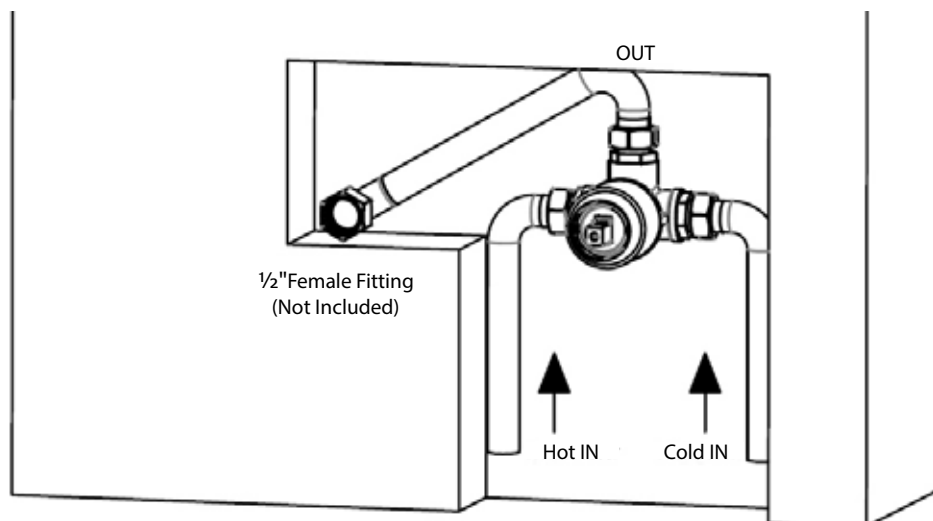
To clean, use a soft sponge with warm water. After cleaning use a soft dry cotton rag for drying.

Assembly Instructions

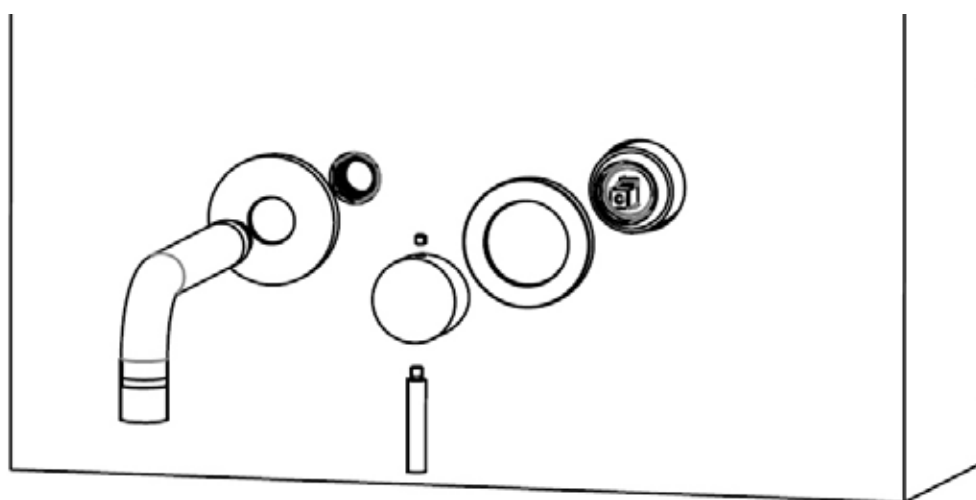
1. Disassemble the handle of the faucet by loosening the allen screw in the handle. Carefully pull the handle off and remove the bezel.



2. Place the handel and bezel back into the box until final assembly.
3. The wall faucet body needs to be installed into the cavity of the wall. (For dimensions, see schmatic of the valve last page). It is important to plan for the thickness of the tile in order to create a flush mount. Do not install wall faucet body too deep into the wall. If the installation is too deep then the handle can not be mounted.
4. Connect the supply lines to the wall facuet body. (See drawing below)



5. Once the supply lines and output supply line is installed, turn on the water and check for leaks.
6. If the leak test is successful, finish the wall.
7. Once the finished wall is completed re-assemble the wall mounted faucet with the handle and bezels. See below.



8. Your faucet is now installed we hope you enjoy your product.

