

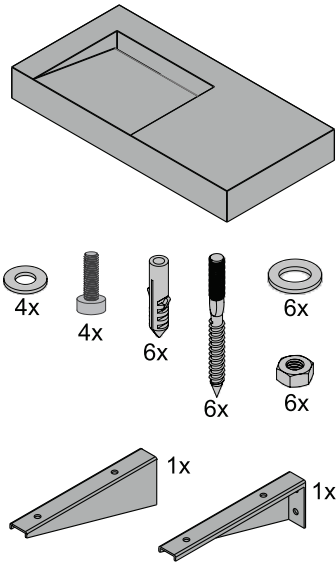
Wall Mounted Sink Installation Instructions



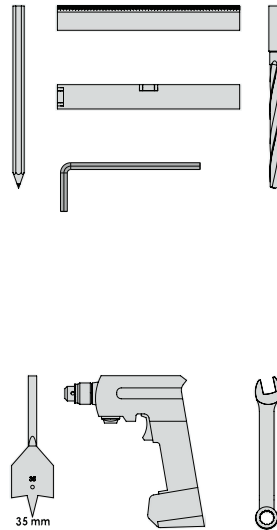
These installation instructions broadly apply to following models:

WT-01, WT-02, WT-03, WT-04, WT-05, WT-06S, WT-06M, WT-06L, WT-06XL, WT-06XXL

Parts list:

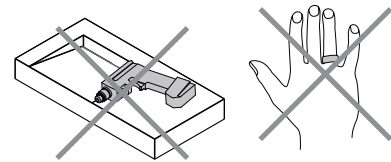


Installation Tools:

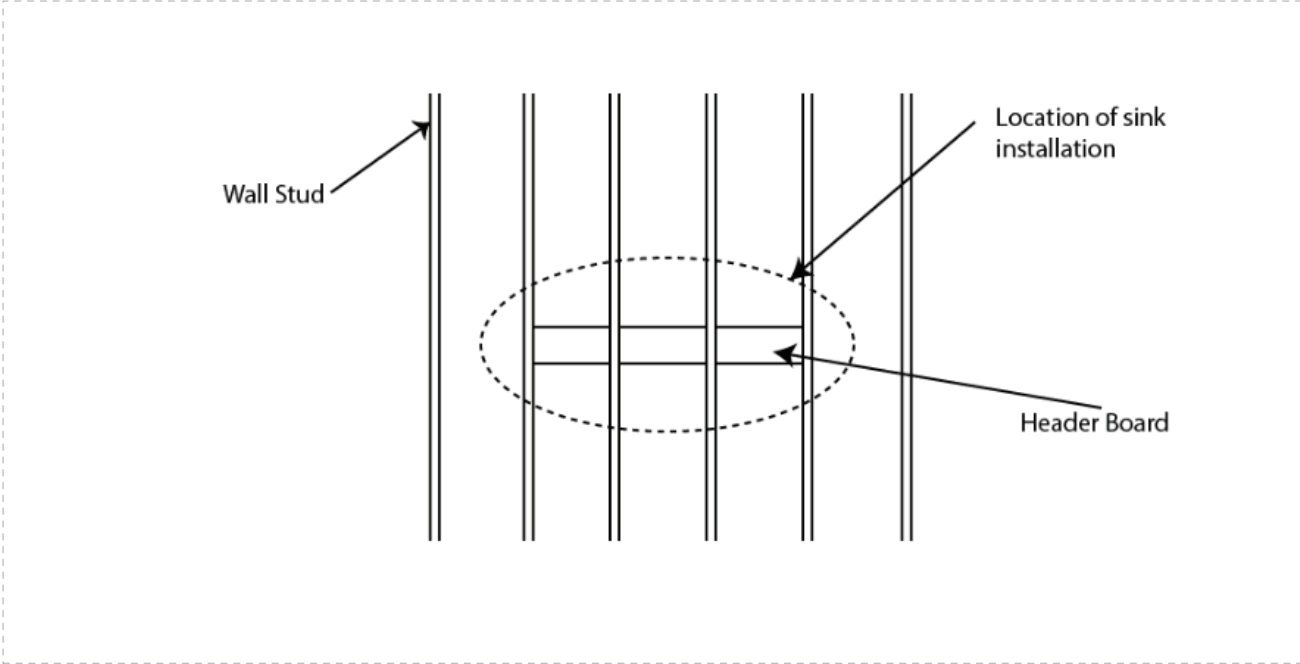


Notes:

1. During Installation please avoid placing tools on the sink basin to avoid damage to the surface.
2. Remove all jewellery as this can also cause damage.

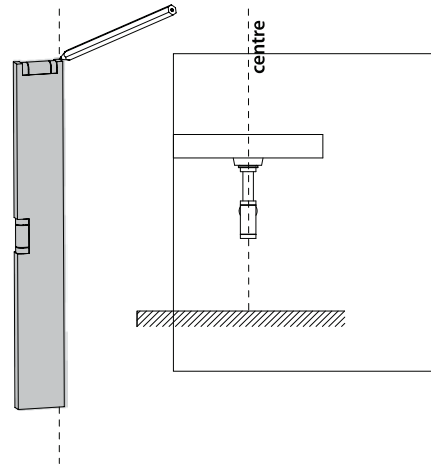
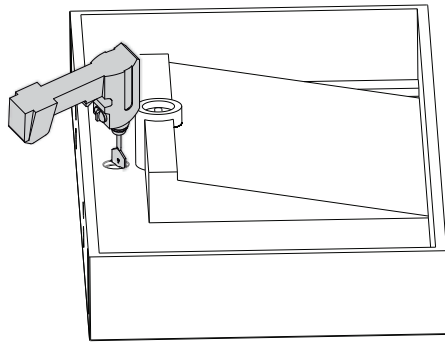


Before you begin please evaluate the material of the wall that this sink basin will be installed on. If this is to be installed on a wall with wooden or metal studs it is imperative that a header board installed for the added support of this wash basin.



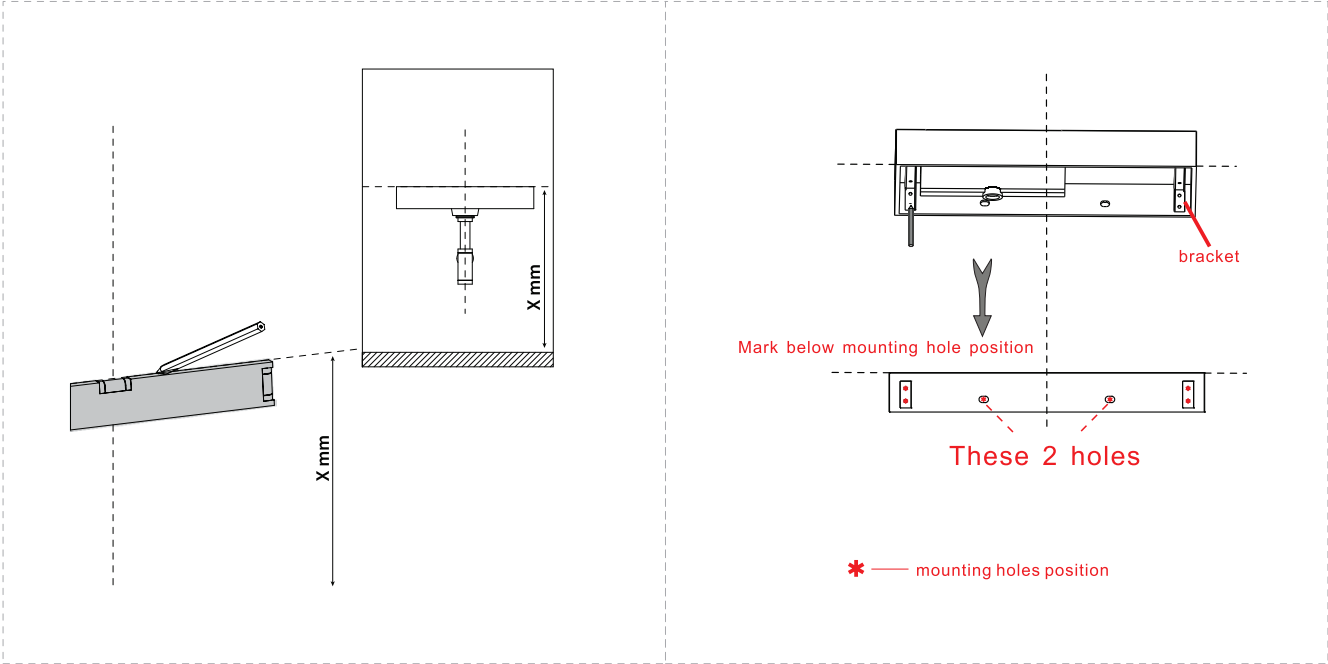
If you are mounting a faucet to the basin drill the faucet holes with a spade bit (35mm)

Draw a center line on the wall in reference to the center of the sink basin.



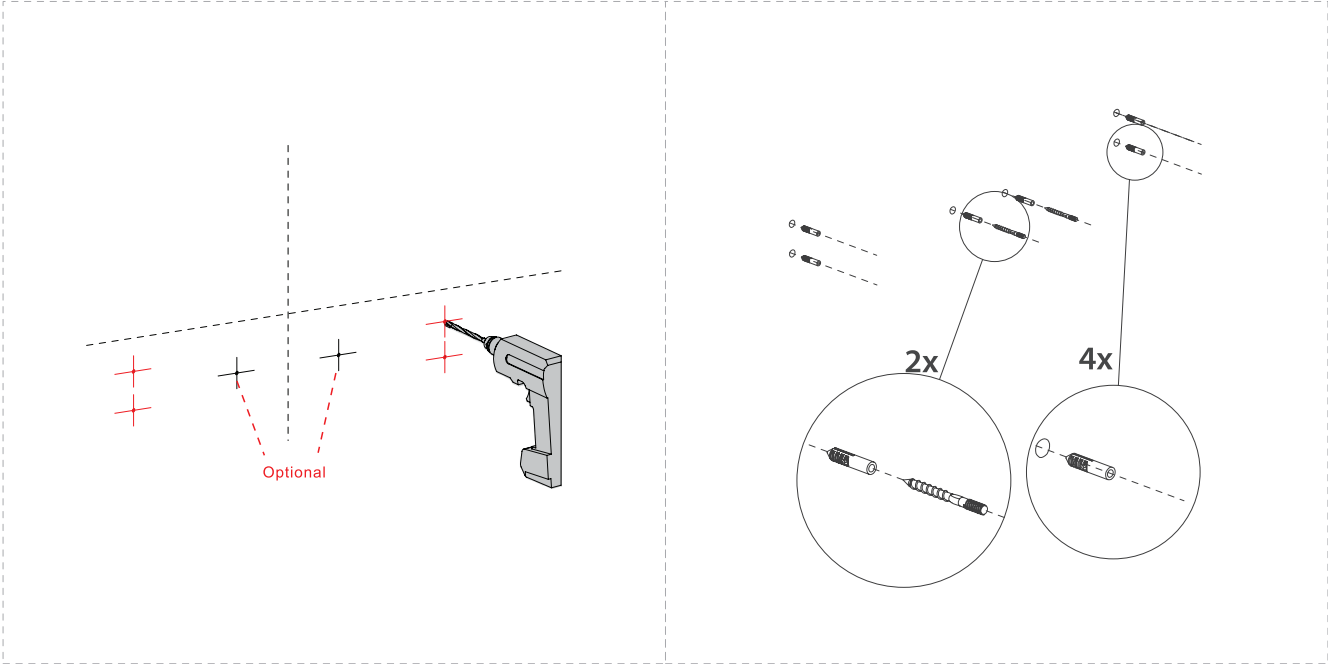
Mark the height position on the wall.

Mark the location of the mounting holes on the wall in reference to the holes on the basin.



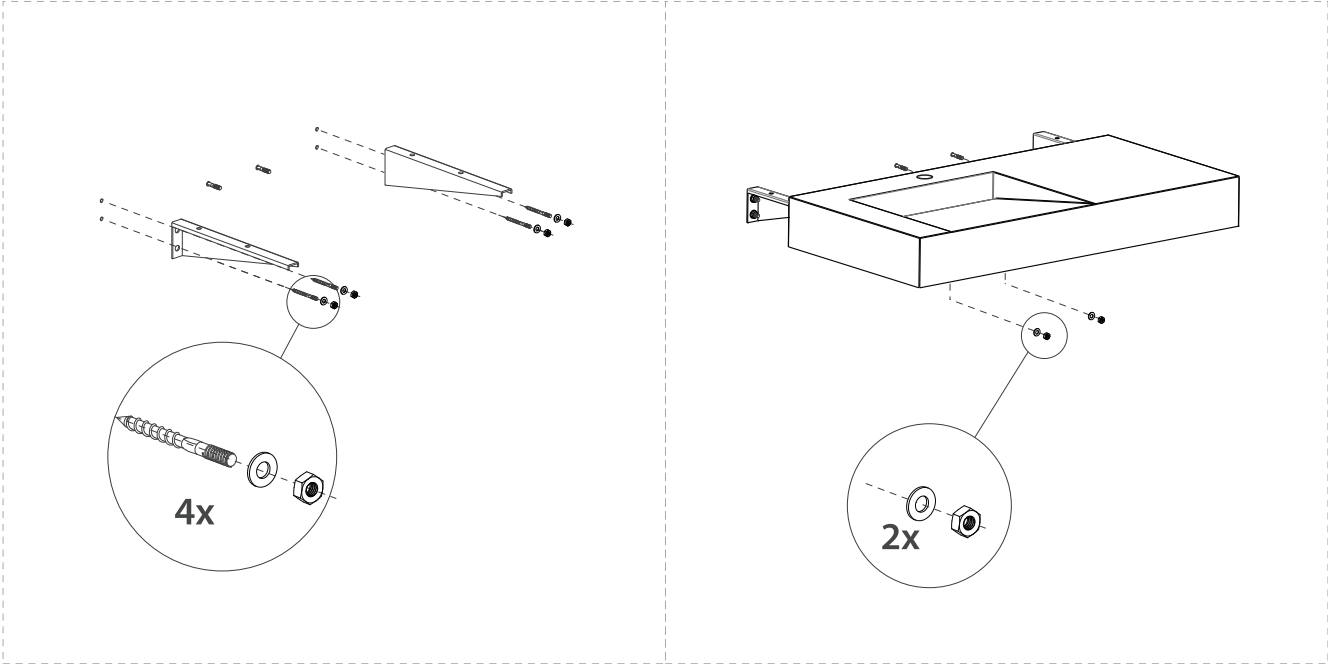
Drill the holes (12mm)

Insert the expansion anchor into the holes and screw the lag bolt screws into the expansion anchors.



Attach to wall brackets to the wall.

Slide the washbasin onto the wall brackets and tighten the nuts.



Screw the basin onto the wall brackets.

